

# KIT INSTRUCTIONS

MSR/NFC

**Release 1.0**



---

The product described in this document is a licensed product of NCR Corporation.

NCR is a registered trademark of NCR Corporation. Product names mentioned in this publication may be trademarks or registered trademarks of their respective companies and are hereby acknowledged.

The terms HDMI and HDMI High-Definition Multimedia Interface, and the HDMI Logo are trademarks or registered trademarks of HDMI Licensing LLC in the United States and other countries.

Where creation of derivative works, modifications or copies of this NCR copyrighted documentation is permitted under the terms and conditions of an agreement you have with NCR, NCR's copyright notice must be included.

It is the policy of NCR Corporation (NCR) to improve products as new technology, components, software, and firmware become available. NCR, therefore, reserves the right to change specifications without prior notice.

All features, functions, and operations described herein may not be marketed by NCR in all parts of the world. In some instances, photographs are of equipment prototypes. Therefore, before using this document, consult with your NCR representative or NCR office for information that is applicable and current.

To maintain the quality of our publications, we need your comments on the accuracy, clarity, organization, and value of this book. Please use the link below to send your comments.

*Email:* [FD230036@ncr.com](mailto:FD230036@ncr.com)

Copyright © 2017  
By NCR Corporation  
Duluth, GA U.S.A.  
All Rights Reserved

## Revision Record

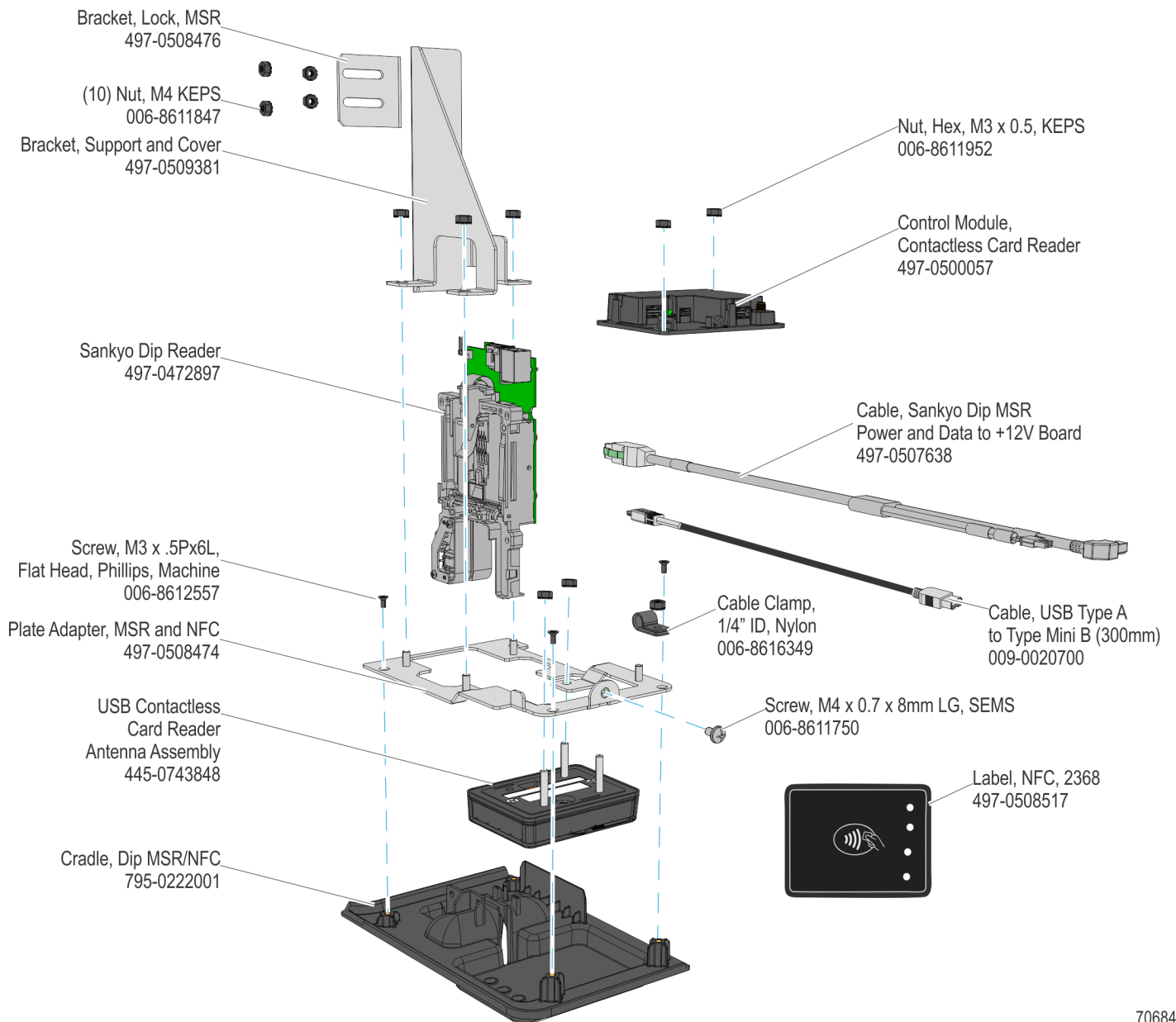
Issue	Date	Remarks
A	Apr 2017	First Issue

# MSR/NFC


## Introduction


This kit provides the components to install the MSR, Sankyo Dip Reader and NFC feature to an NCR TouchPort 120 (2368) Kiosk.

## Kit Content



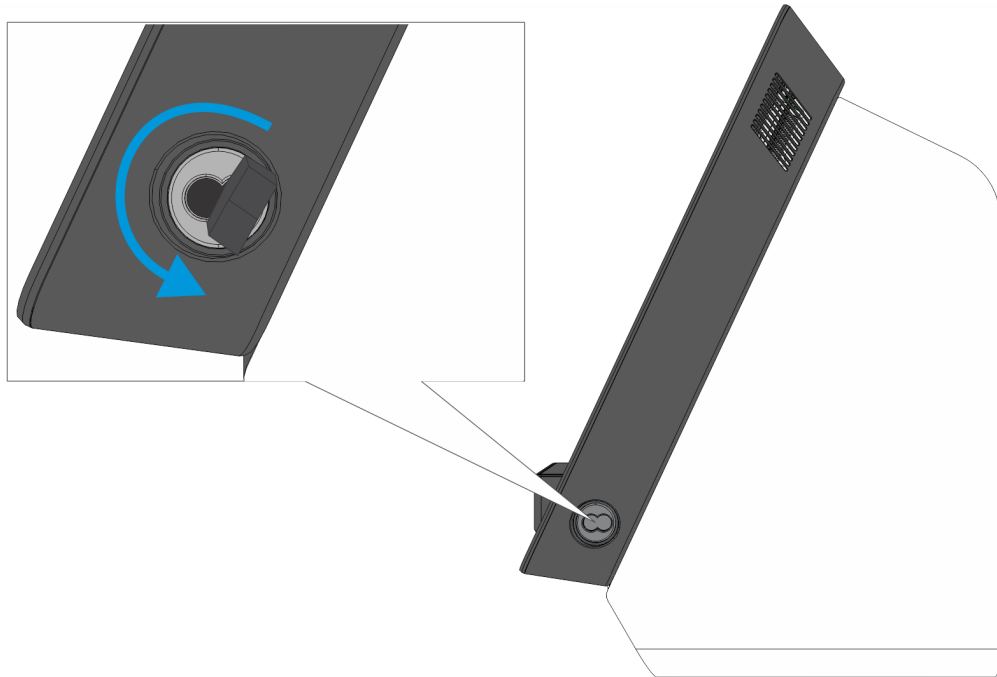
# Installation Procedure

 **Warning:** Disconnect the AC power cord before disassembling the Terminal.

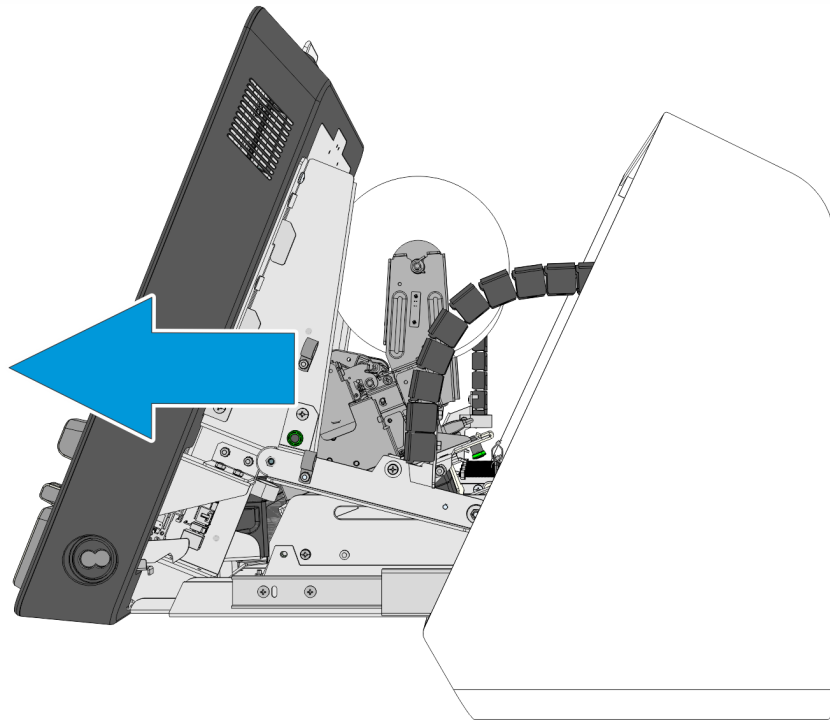
 **Caution:** Static Electricity Discharge may permanently damage your system. Discharge any static electricity build up in your body by touching your computer's case for a few seconds. Avoid any contact with internal parts and handle cards only by their external edges.

To install the MSR, Sankyo Dip Reader and NFC to the NCR TP120 Self Check-In (2368) Kiosk, perform the following steps:

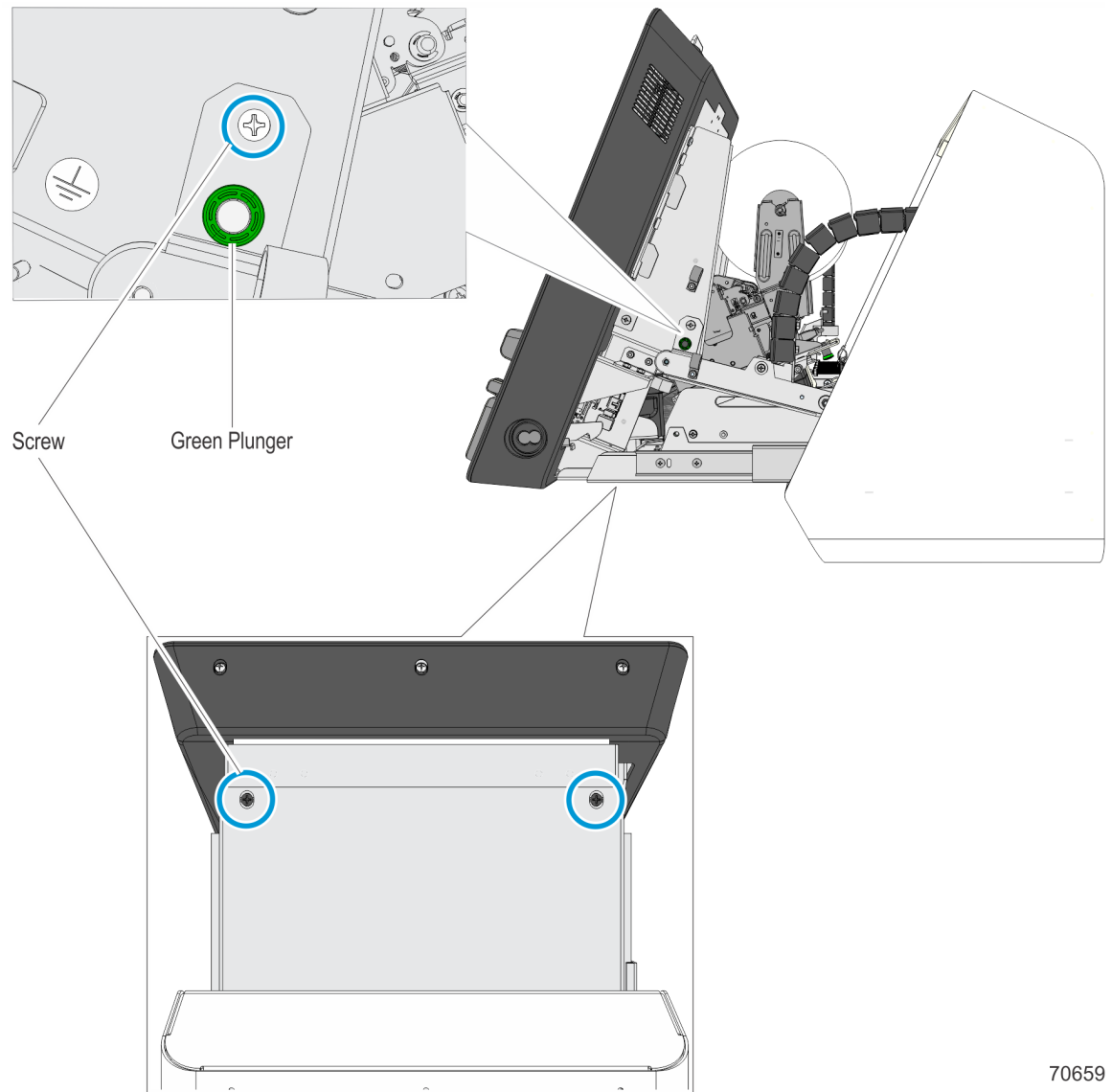
1. Turn the black plastic key counterclockwise to unlock the unit.



2. Pull the Countertop assembly.



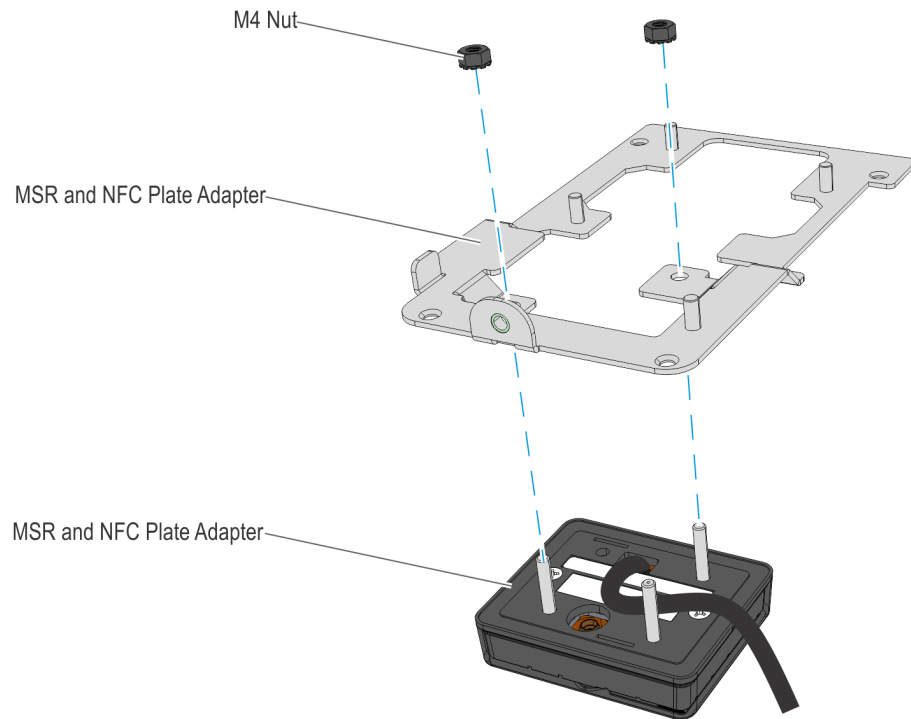
3. Remove the screw beside the green plunger on each side of the unit and the screws (2) at the bottom of the Display Head assembly.



70659

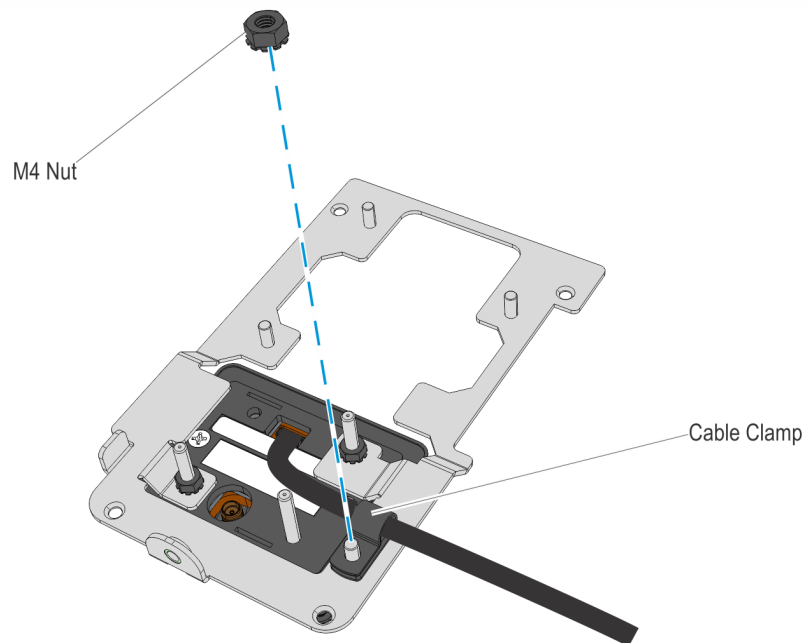
4. Remove the features installed on the left of the lower fascia.
  - [MSR Assembly](#)
  - [PIN Pad Assembly](#)

5. Mount the USB Contactless Card Reader Antenna Assembly to the front side of the MSR and NFC Plate Adapter. Secure with two M4 nuts.



70671

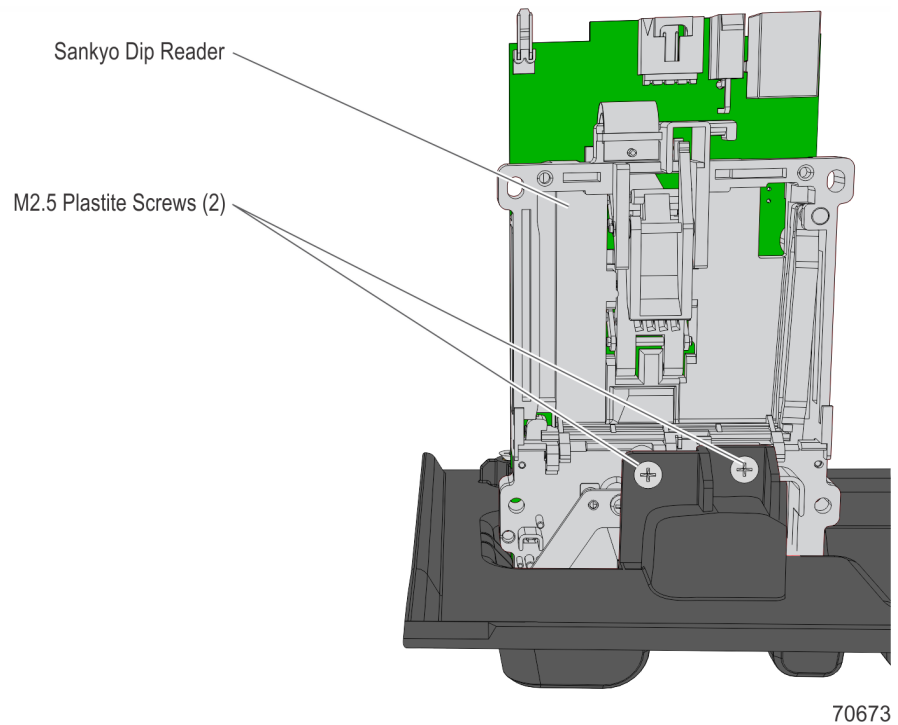
6. Place the Cable Clamp around the NFC cable and secure with an M4 Nut.



70677



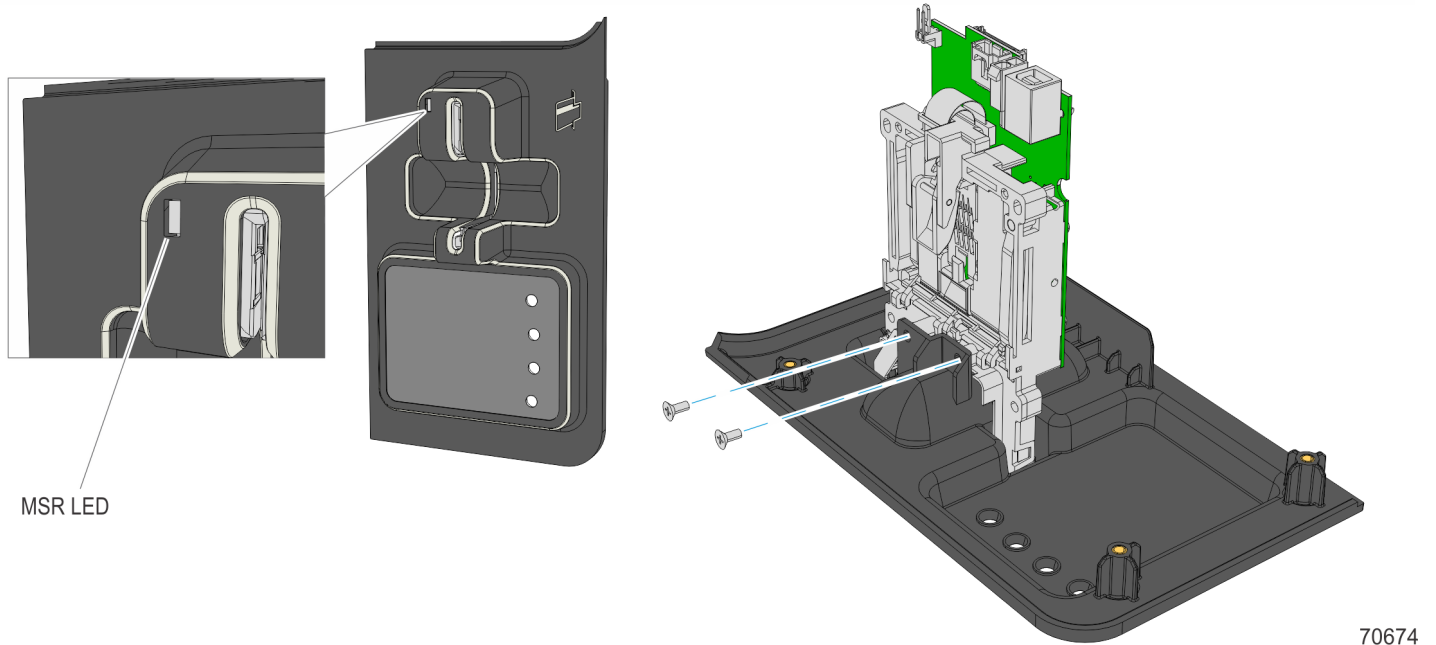
7. Remove the Sankyo Dip Reader bezel by removing the M2.5 Plastite Screws (2) and washers (2).



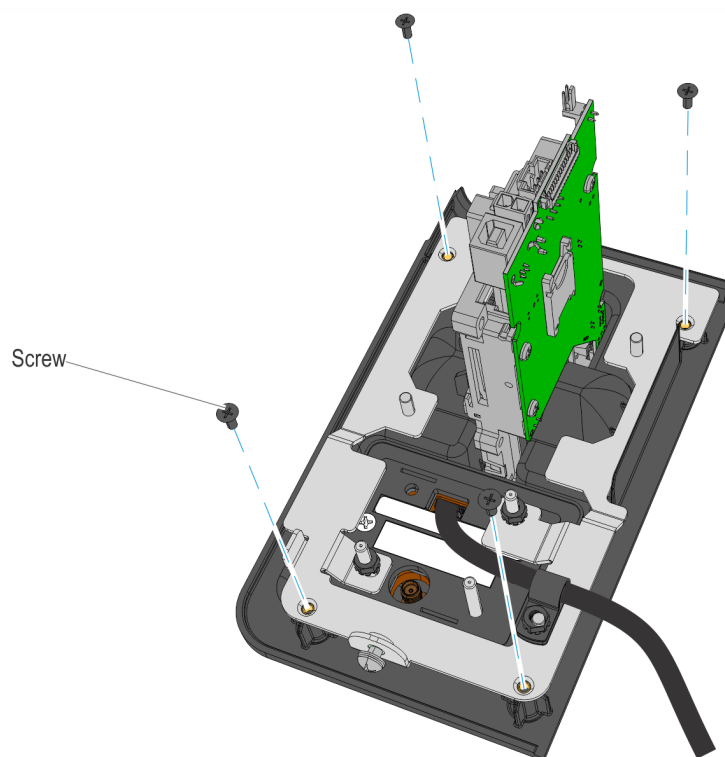
8. Attach the MSR to the Dip MSR/NFC Cradle and secure with the M2.5 plastite screws (2).



**Note:** Ensure that the MSR LED indicator is visible.

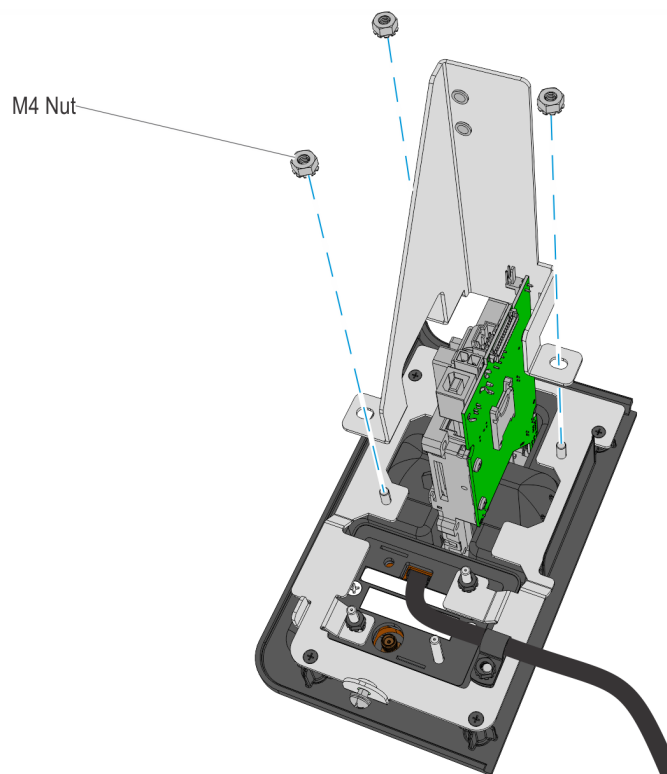


9. Mount the NFC assembly to the MSR assembly. Secure with screws (4).



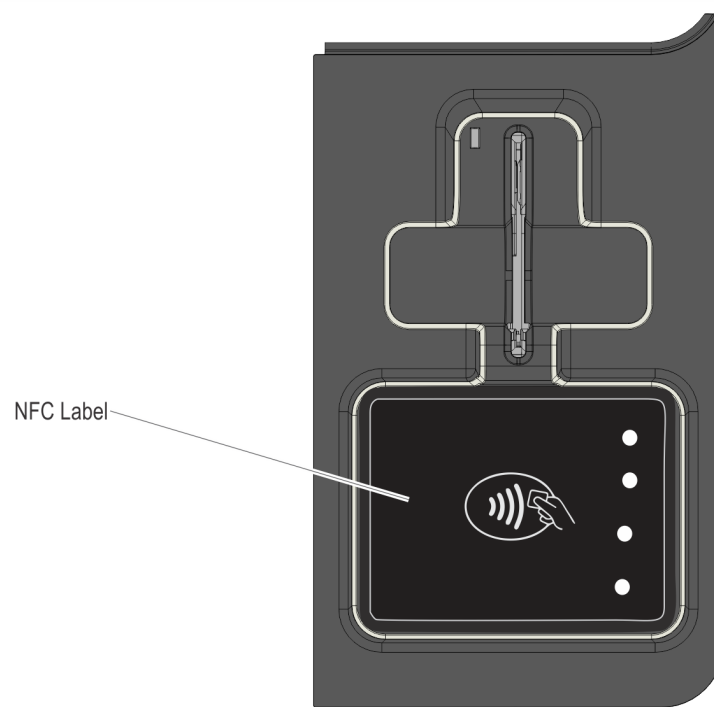
70675

10. Mount the Dip MSR Cover Bracket on the assembly. Secure with M4 Nuts (3).



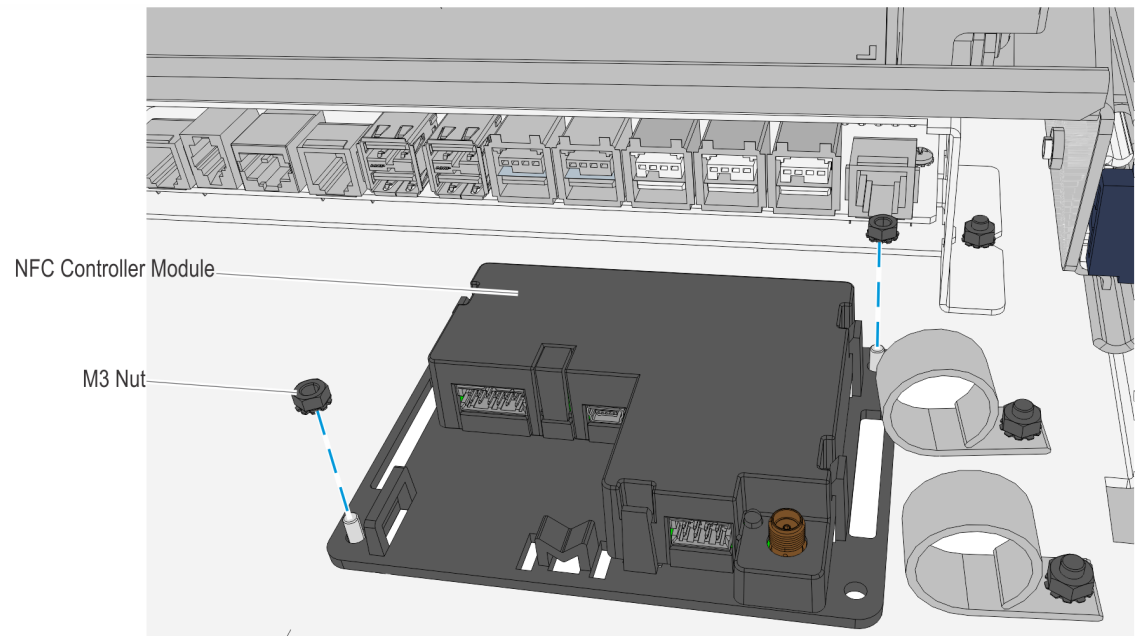
70679

11. Install the NFC Label on the front of the Dip MSR and NFC Cradle.



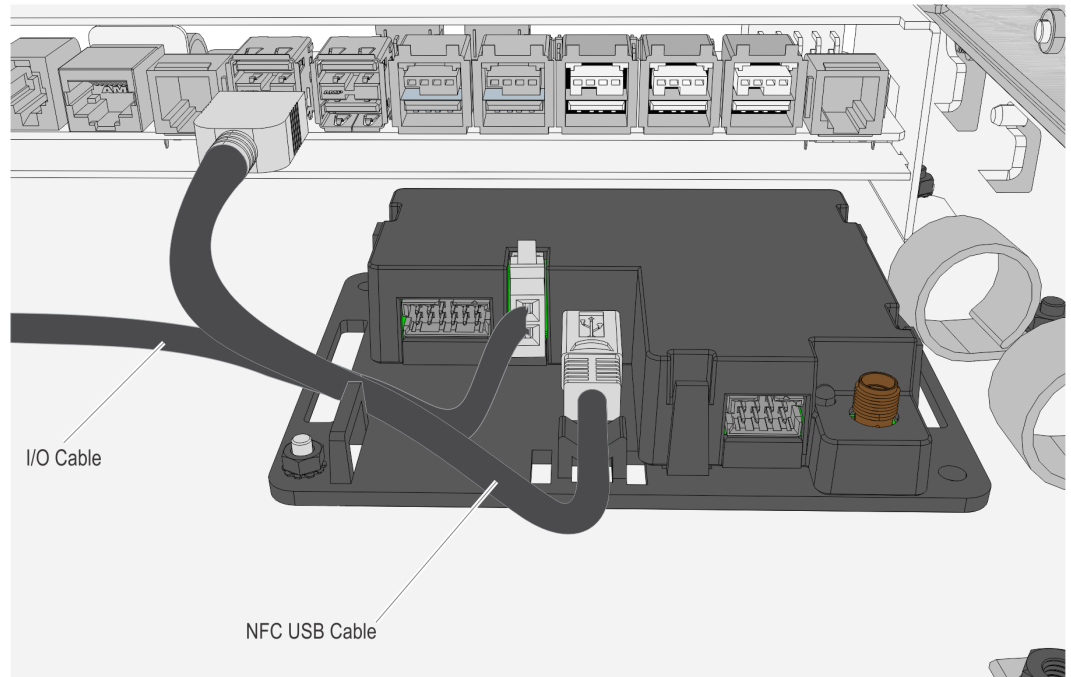
70678

12. Mount the NFC Controller Module to the chassis. Secure with M3 Hex Nuts (2).



70680

13. Plug the NFC USB Cable from the NFC Controller to the **USB B** port of the I/O Daughtercard. Plug the existing 12V I/O Cable.

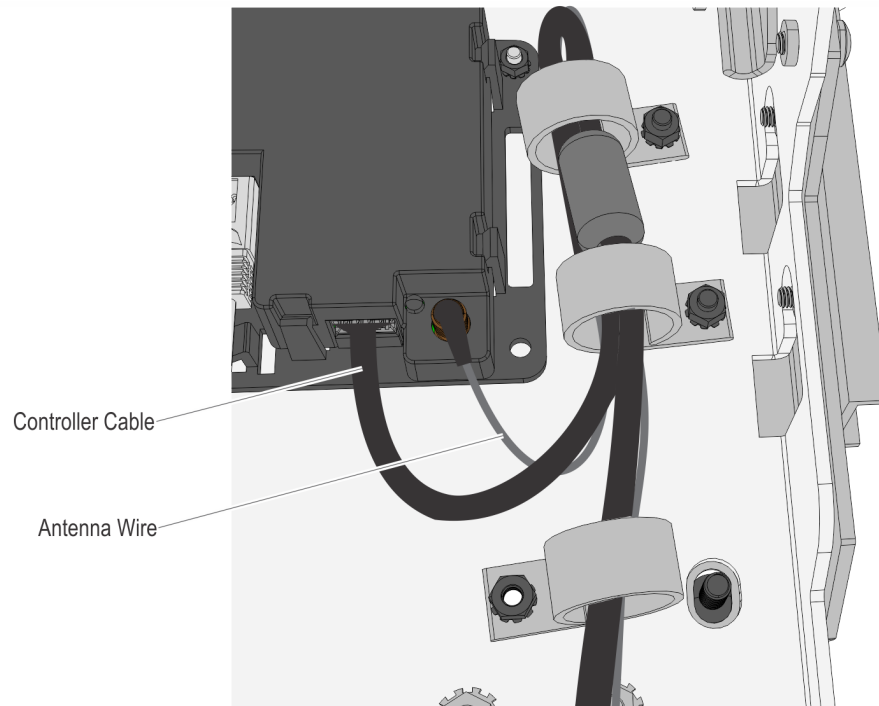


70681

14. Route the Controller Cable and Antenna Wire through the open p-loops (3).



**Note:** Ensure that the ferrite bead is clamped between the two p-loops.

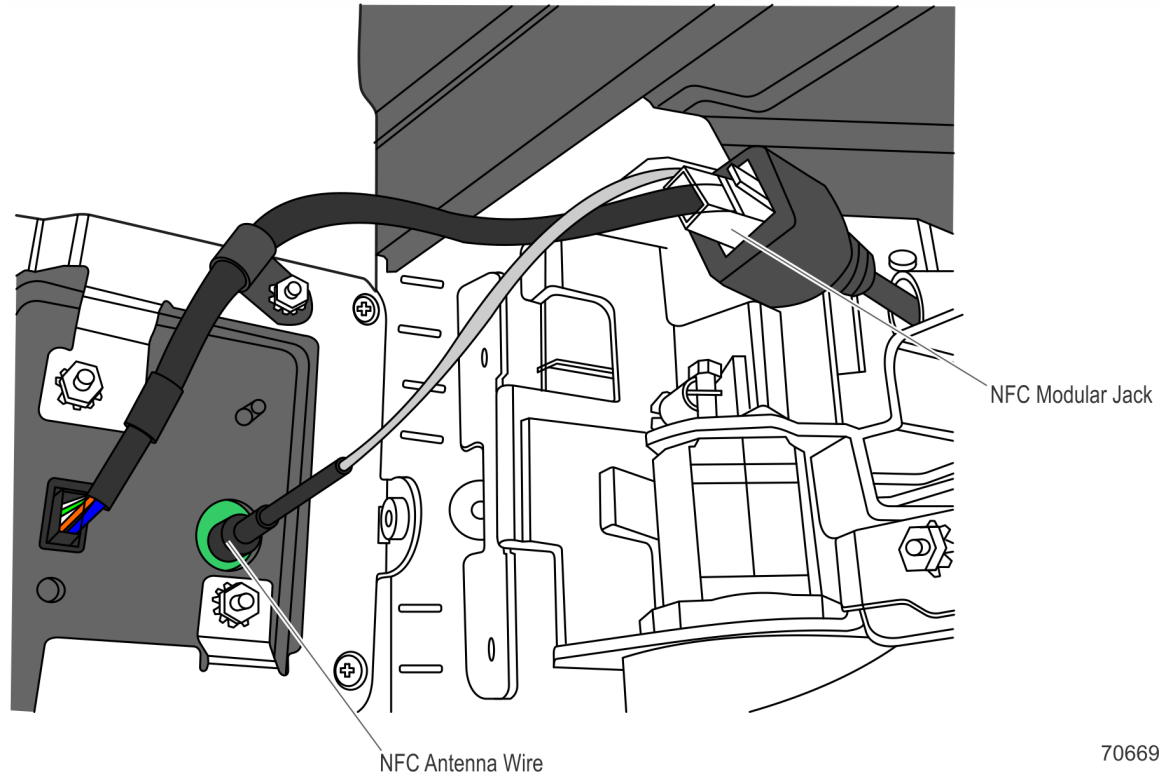


70685

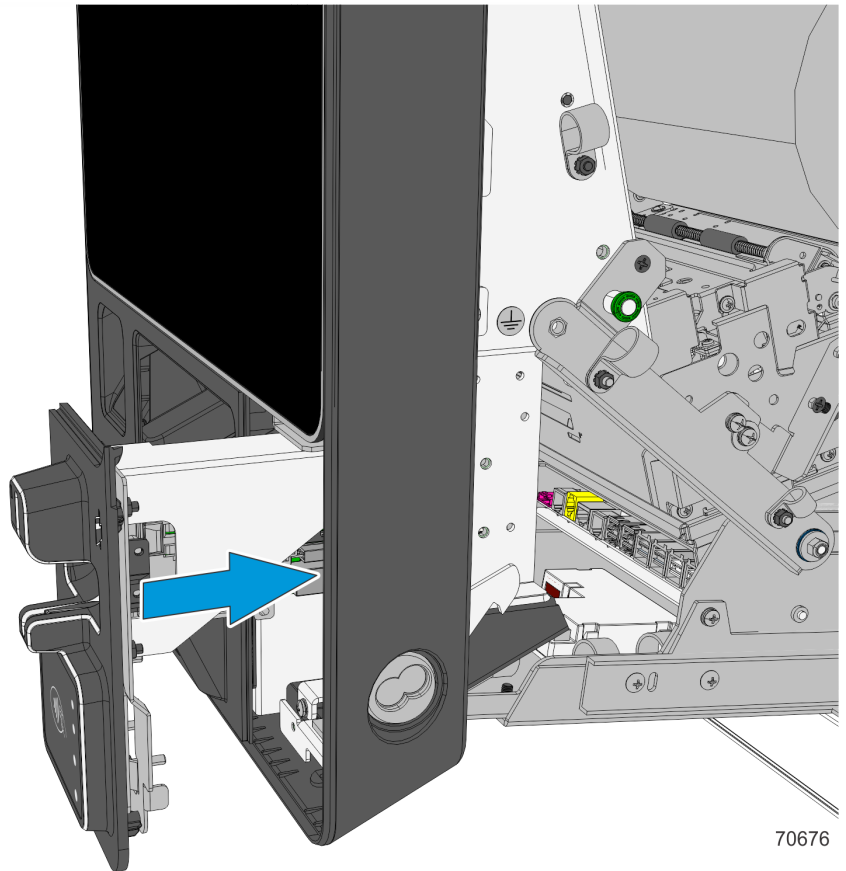


**Note:** Ensure that the antenna cable does not get pinched when the head is closed.

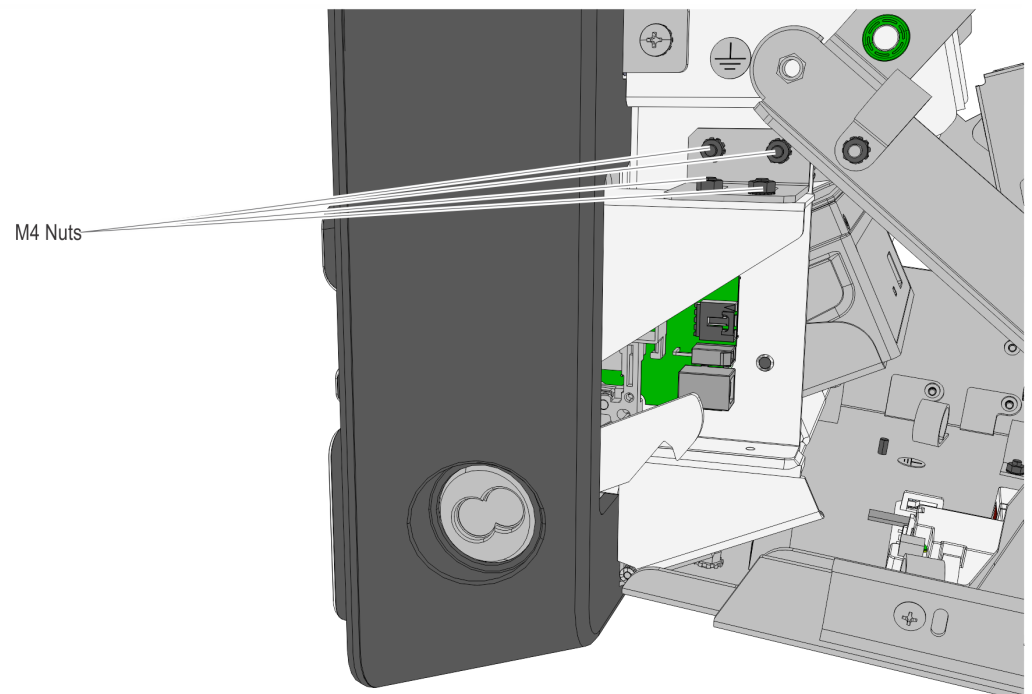
15. Plug the NFC Modular Jack to the controller receptacle and the NFC Antenna Wire to the NFC module.



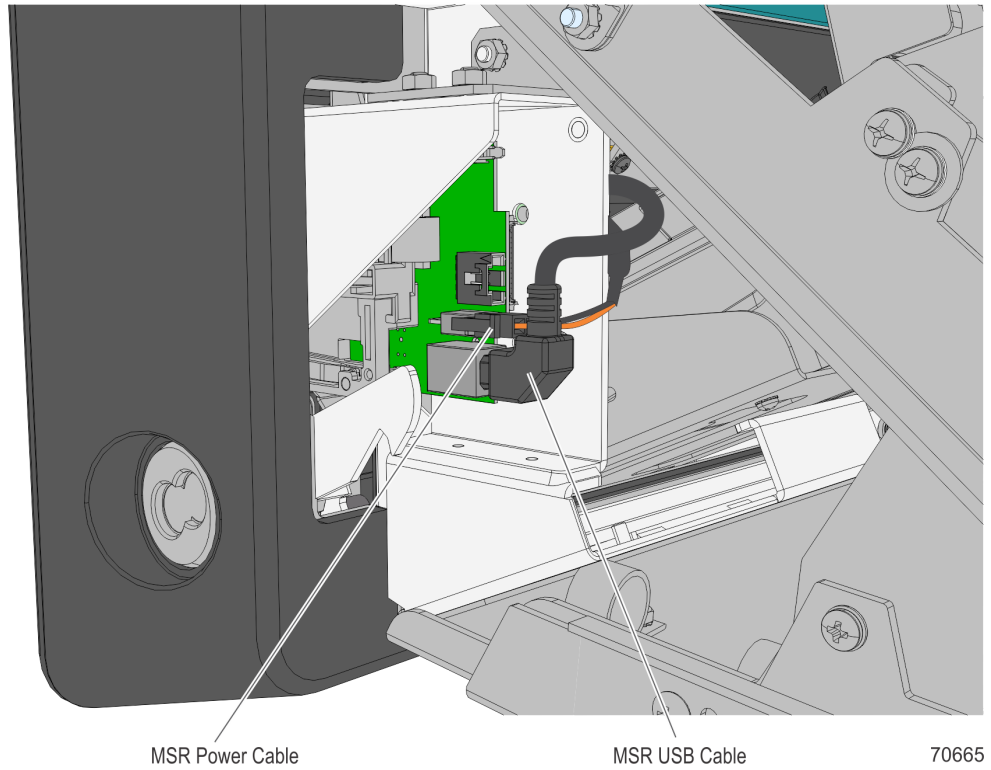
16. Install the MSR and NFC assembly to the left of the lower fascia.



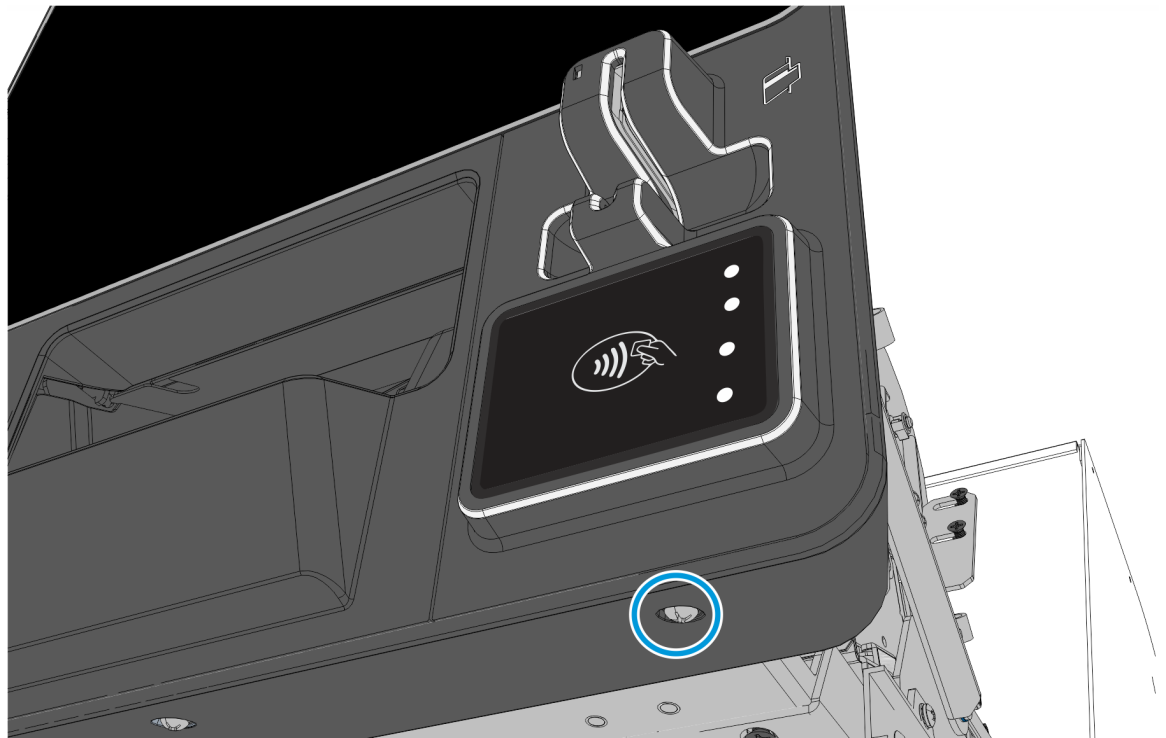
17. Secure the MSR and NFC assembly by fastening the bracket with M4 Nuts (4).



18. Plug the MSR USB and Power cables to the **USB C** port on the motherboard.



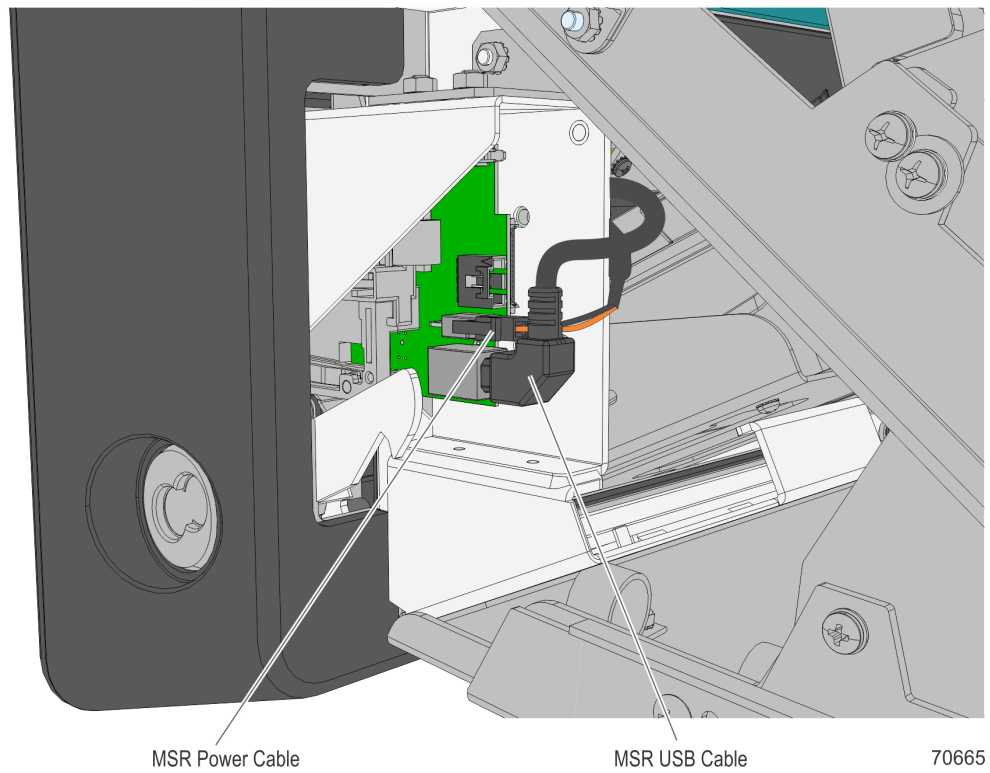
19. Secure the MSR and NFC assembly with screw.



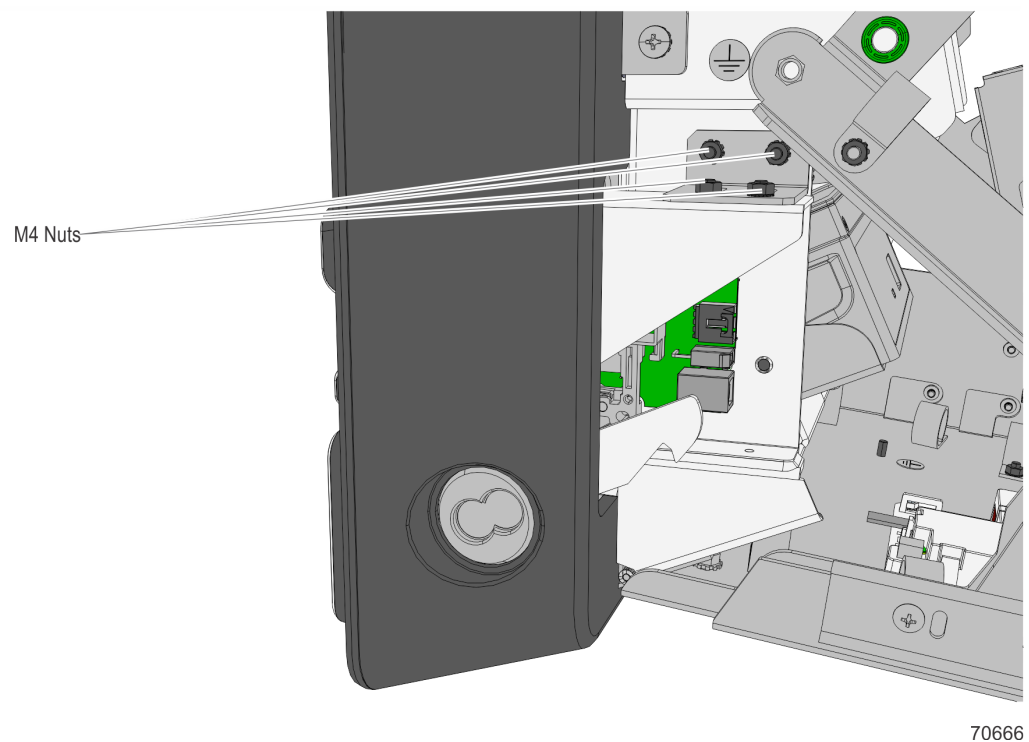
20. Close and lock the unit.

## Removing the MSR Assembly

1. Unplug the MSR USB Cable and Power Cable.

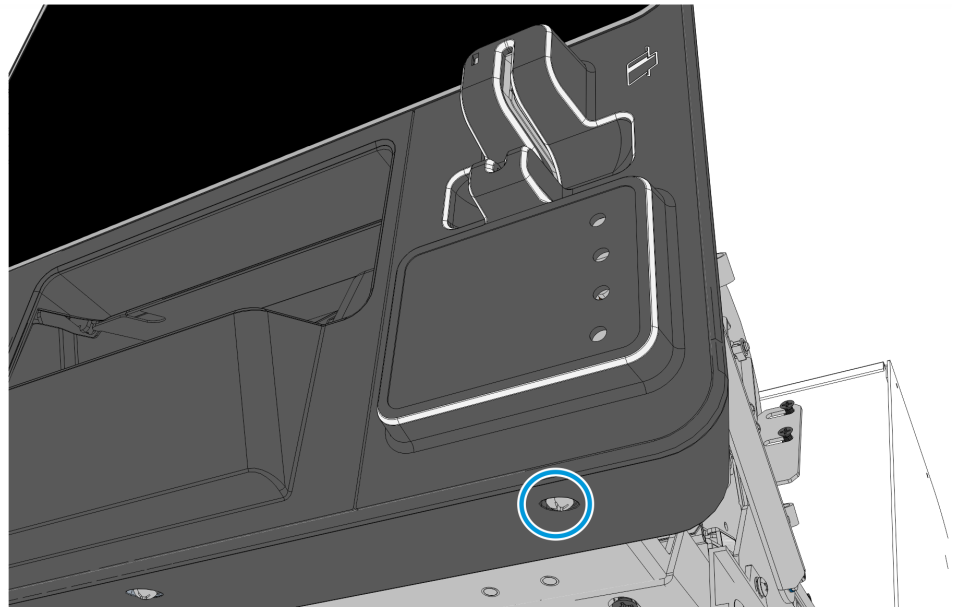


2. Remove the M4 nuts (4).



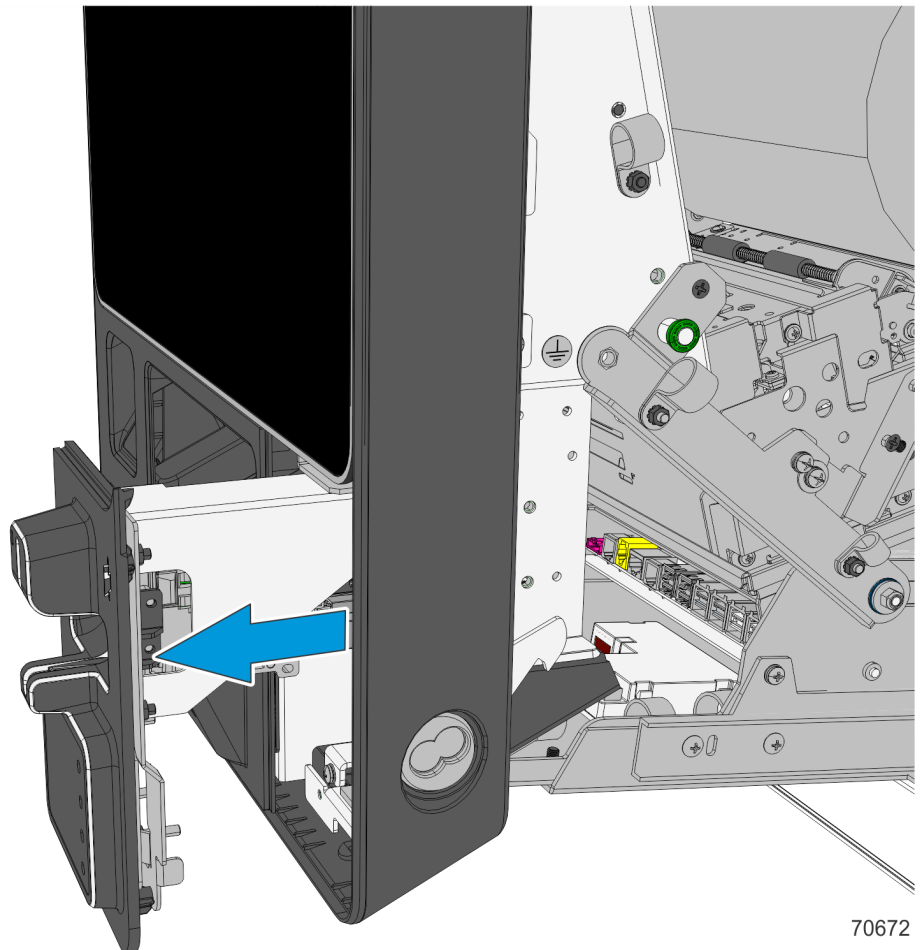


3. Remove the screw at the bottom of the MSR assembly.



70667

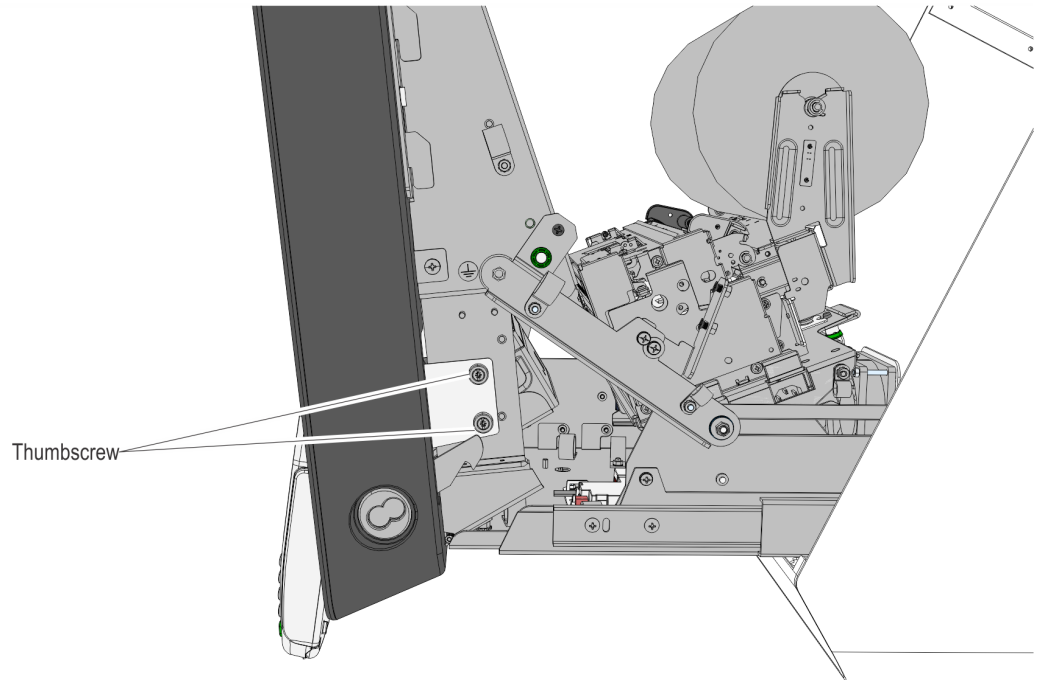
4. Remove the MSR Assembly.



70672

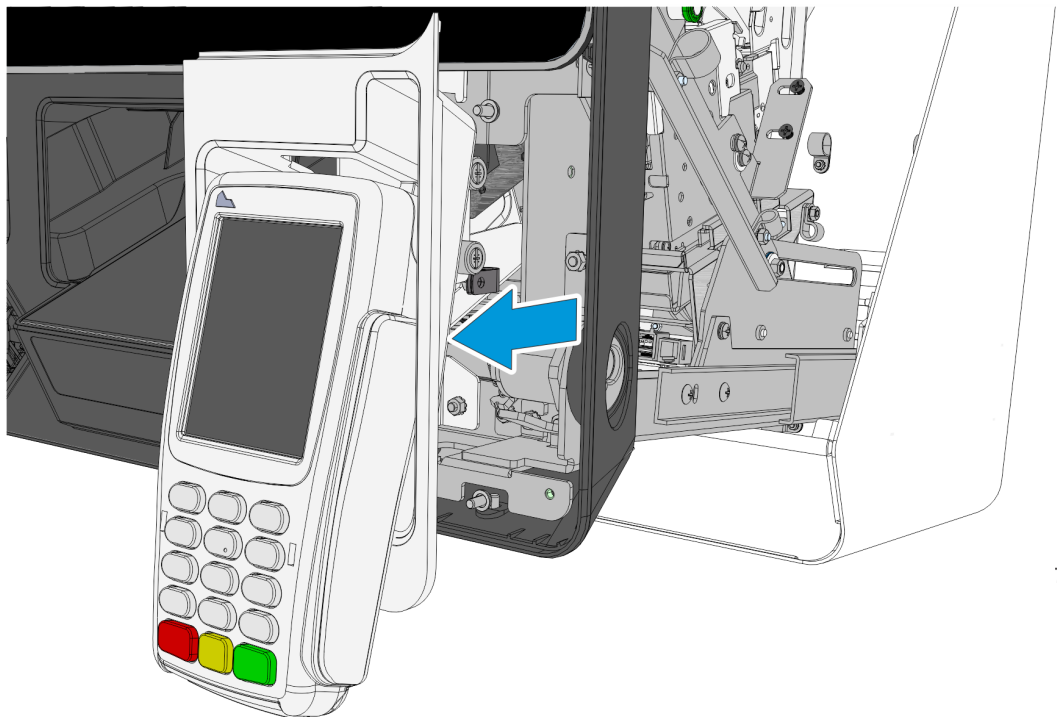
## Removing the PIN Pad Assembly

1. Disconnect the PIN pad cable from the USB port.
2. Loosen the thumbscrews (2) that secure the PIN pad assembly.



70654

3. Remove the PIN pad assembly.



70682